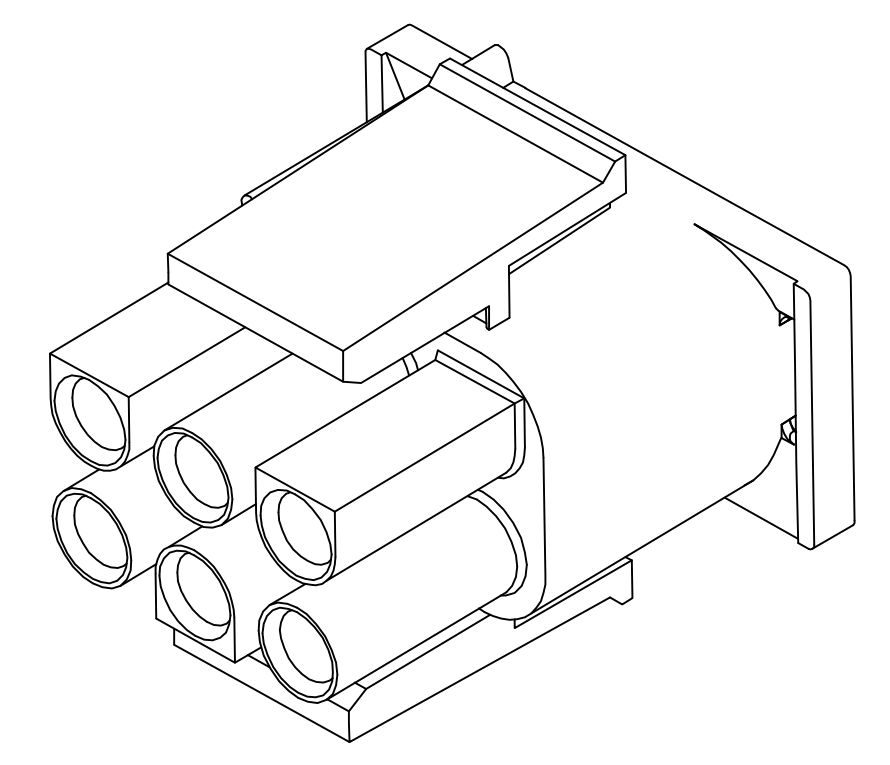


DETAIL A
 OPTIONAL CONSTRUCTIONS

1. MATES WITH APPROPRIATE UNIVERSAL MATE-N-LOK™ CAP OR HEADER.
2. SMALL NICKS ARE PERMITTED ON THE CIRCUIT TOWERS WHICH COULD INCREASE THE INITIAL HOUSING MATING FORCE BY UP TO 4.4 NEWTONS [1.0 LBS]. NO INDIVIDUAL NICKED TOWER SHALL INCREASE THIS FORCE BY OVER 2.2 NEWTONS [.5 LBS].
3. DIMENSION INDICATED IS AS MOLDED. ADDITIONAL GROWTH DUE TO SUBSEQUENT MOISTURE ABSORPTION MAY OCCUR.
4. FOUR RIBS EQUALLY SPACED, NO SPECIFIC ORIENTATION. NO RIBS OR SIX RIBS EQUALLY SPACED, NO SPECIFIC ORIENTATION, OPTIONAL.
5. UNDERWRITERS RECOGNIZED COMPONENT LOGO AND CSA CERTIFICATION LOGO TO BE LOCATED ONCE EACH ON SIDE OF HOUSING.
6. MANUFACTURING LOCATION ID ON SIDE OF HOUSING (OPTIONAL).
7. TRADEMARK LOCATION (AMP OR TYCO).

27.43	1.080
20.32	.800
13.97	.550
11.68	.460
0.38	.015
0.13	.005
MM	IN

CONVERSION TABLE

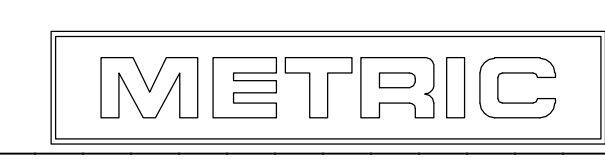


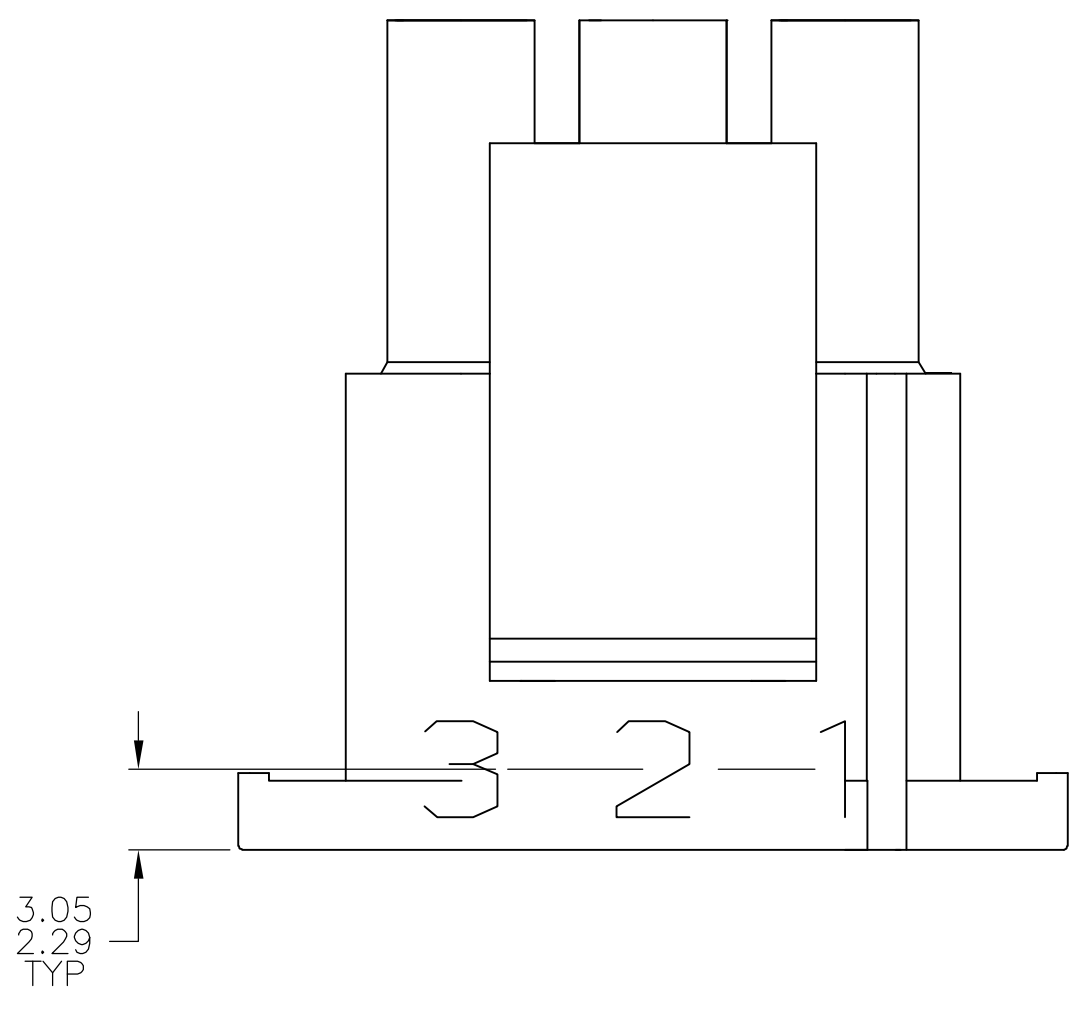
3-DIMENSIONAL MODEL NTS

BLACK	1-480704-9
GRAY	1-480704-8
BLUE	1-480704-6
GREEN	1-480704-5
YELLOW	1-480704-4
ORANGE	1-480704-3
RED	1-480704-2
BROWN	1-480704-1
NATURAL	1-480704-0
COLOR	PART NUMBER

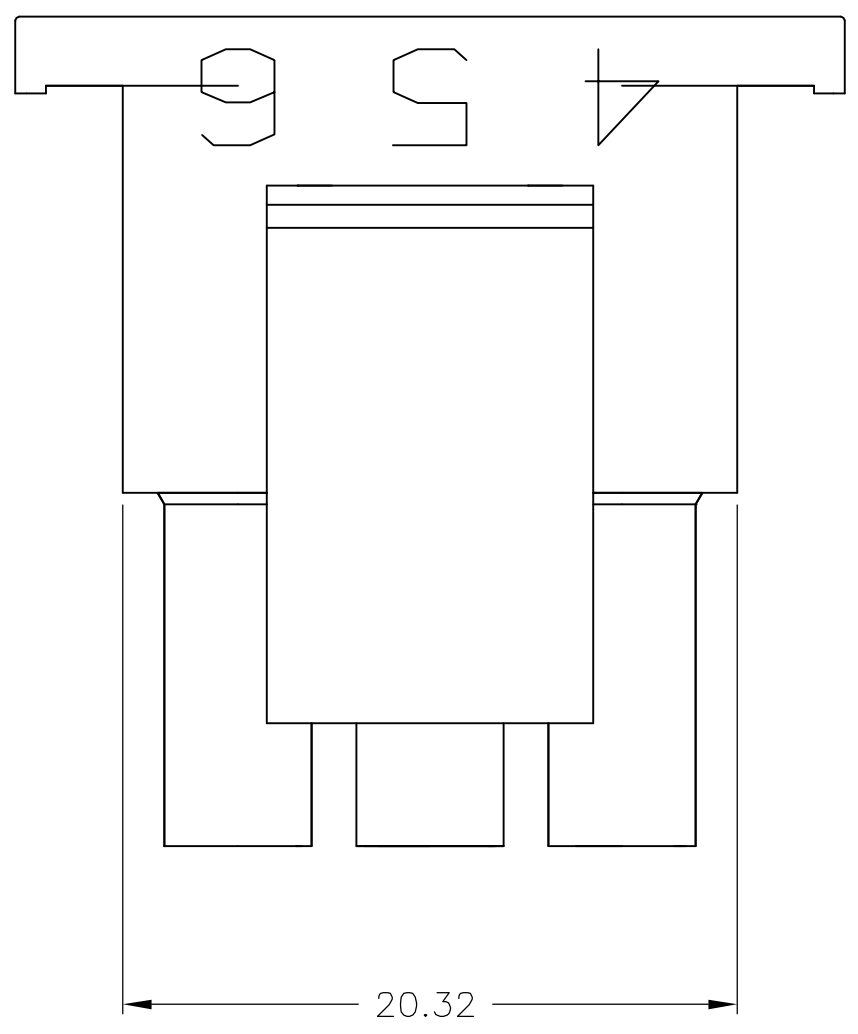
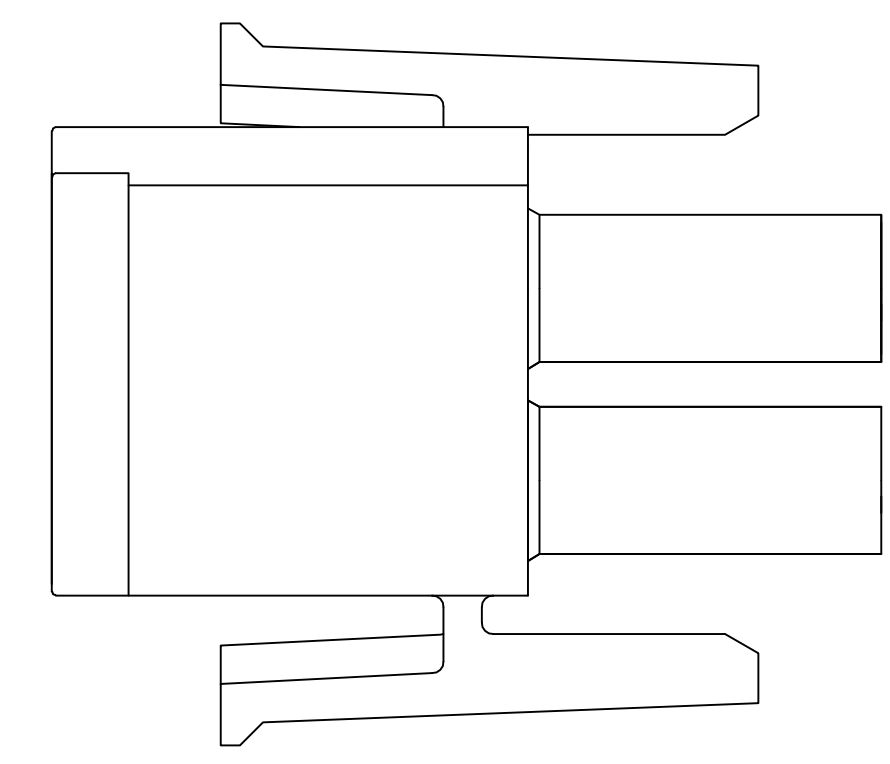
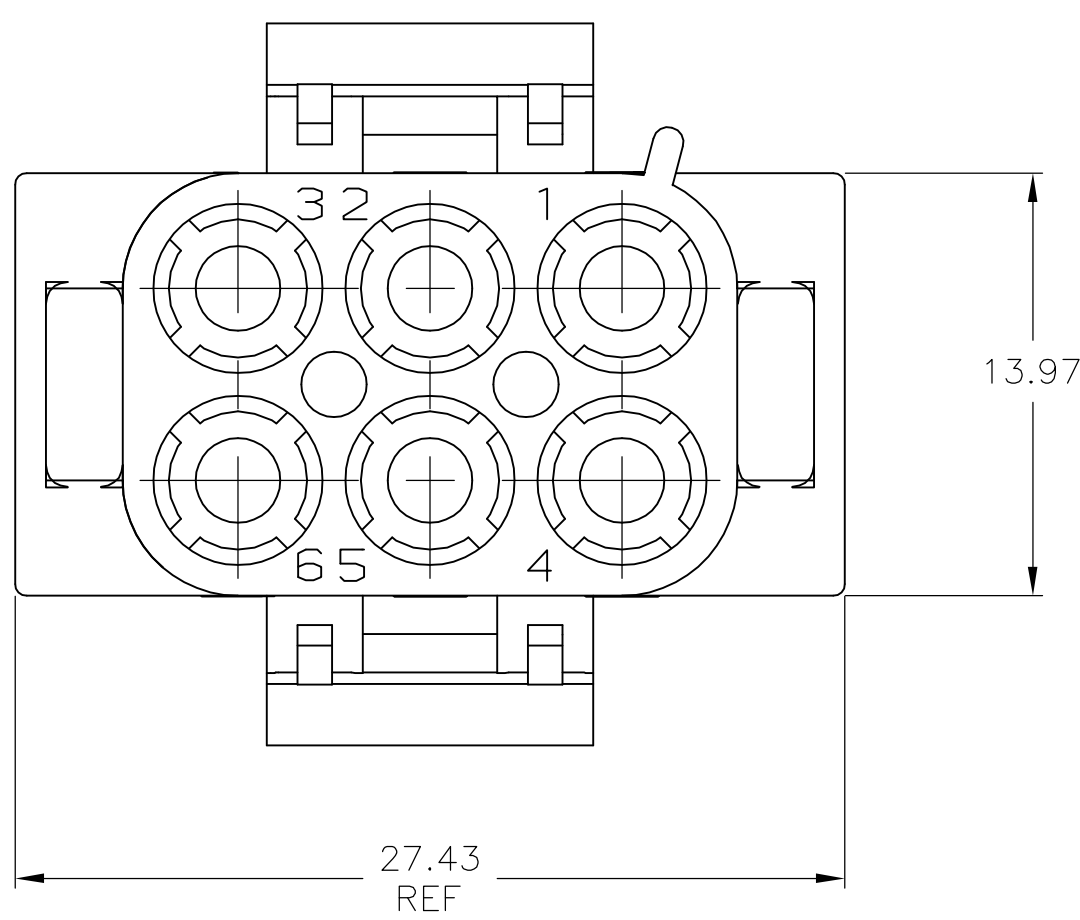
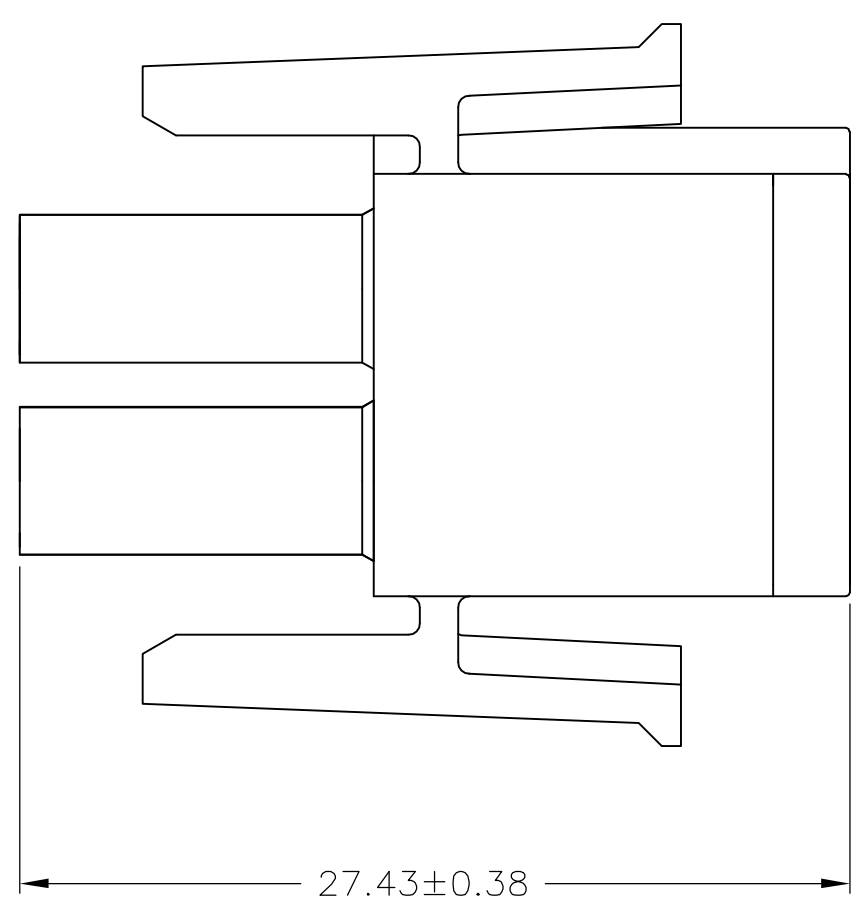
THIS DRAWING IS A CONTROLLED DOCUMENT.

DIMENSIONS:	TOLERANCES UNLESS OTHERWISE SPECIFIED:	DWN	K. WHITAKER	23MAR05		Tyco Electronics Corporation
mm	0 PLC ± - 1 PLC ± - 2 PLC ± 0.13 3 PLC ± - 4 PLC ± - ANGLES ± 0.30°	CHK	S. RIDGILL	23MAR05		Harrisburg, PA 17105-3608
		APVD	S. RIDGILL	23MAR05	NAME	PLUG, 6 CIRCUIT, UNIVERSAL MATE-N-LOK(TM)
MATERIAL	NYLON,UL 94V-2	FINISH	-	WEIGHT	-	RESTRICTED TO
CUSTOMER DRAWING				SCALE	4:1	SHEET 1 OF 2





1. STAMP NUMBERS 3.18 HIGH AT WIRE END OF HOUSING (12 POINT DAVID TYPE).
2. CHARACTERS TO BE POSITIONED ON HOUSING TO BE READ FROM WIRE END ONLY.
3. VIOLET, BLACK, BROWN, AND BLUE COLORED BLOCKS TO BE STAMPED WITH WHITE CHARACTERS. ALL OTHER COLORED BLOCKS TO BE STAMPED WITH BLACK CHARACTERS.



3.05	.120	27.43	1.080
2.29	.090	20.32	.800
0.38	.015	13.97	.550
0.13	.005	3.18	.125
MM	IN	MM	IN

CONVERSION TABLE

NATURAL	2-480704-0
COLOR	PART NUMBER

METRIC

THIS DRAWING IS A CONTROLLED DOCUMENT.		DWN K. WHITAKER 23MAR05		Tyco Electronics Corporation Harrisburg, PA 17105-3608	
DIMENSIONS: mm		CHK S. RIDGILL 23MAR05		NAME S. RIDGILL 23MAR05	PLUG, 6 CIRCUIT, UNIVERSAL MATE-N-LOK(TM)
TOLERANCES UNLESS OTHERWISE SPECIFIED:		APVD S. RIDGILL 23MAR05		PRODUCT SPEC	RESTRICTED TO
0 PLC ± -		APPLICATION SPEC		SIZE	SIZE
1 PLC ± -		WEIGHT		CAE CODE	DRAWING NO
2 PLC ± 0.13		CUSTOMER DRAWING		A1	00779
3 PLC ± -		SCALE		C=	480704
4 PLC ± -		SHEET		2	2
ANGLES ± 0.30°		REV		AP	